

Auto-fill airpot filter coffee makers

BURCO



- Stylish design, ideal for front of house use
- Can be used as an auto-fill or manual fill
- 2.3 litre high performance stainless steel, glass insulated airpot to maximise heat retention
- Glass insulated airpot with brew-thru lid retains maximum heat losing less than 2°C per hour
- Ideal for venues where self-service is at a distance from the main catering area
- Brews 2 litres in less than 6 minutes
- Brew in progress indicator
- Robust stainless steel construction
- CE marked
- Full commercial guarantee

The auto-fill airpot coffee maker offers great flexibility, operated as an auto-fill or manual fill machine. It can simply be filled by pressing the 'fill' button when it is connected to the mains water supply (auto-fill) or by lifting the reservoir cover on the top of the unit and pouring water in.

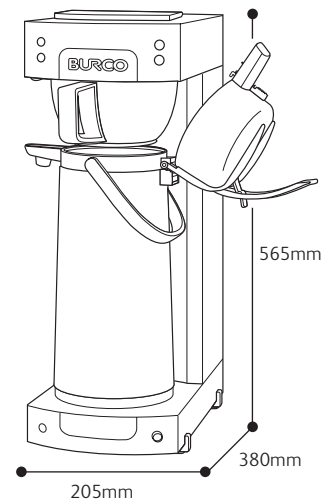
The stainless steel glass insulated airpot has a brew-thru lid so that coffee is dispensed straight into the vessel without losing heat. Just brew directly into the airpot and you will have 2 litres of hot coffee (15 cups) for over 8 hours. The airpot lid can be securely closed and easily carried to the action without any risk of spillage or the coffee cooling down during transportation.

Customers can easily dispense fresh coffee by using the fold down metal pump lever on the top of the airpot. The high efficient airpot loses less than 2°C an hour, keeping your coffee at drinking temperature for well over 8 hours.

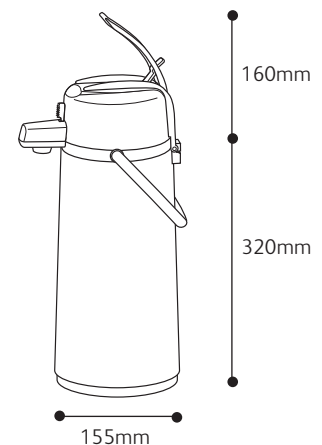
The auto-fill filter coffee maker is ideal for restaurants and hotels, especially occasions such as meetings and conferences where the customer wants a continuous supply of hot coffee, but does not want interruptions by waiting staff. For venues that require a higher volume of coffee and also want to serve tea, hot milk, hot water or chilled drinks, extra matching Burco airpots can be purchased separately.

The Burco coffee range is designed to offer a coffee solution for a wide range of catering environments. The range also includes a manual fill filter coffee maker with 2 glass jugs, single and double hotplates and a coffee percolator which can brew up to 100 cups of coffee at one time. For best taste and performance as well as guaranteeing maximum life for your coffee maker ask about the Burco filtration solution.

78500



78505



Model	Brew time in mins	Throughput/hour	kW rating	Capacity	Height mm	Width mm	Depth mm
78500	6	120 cups	2.2	2 litres	565	205	380
78505				2.3 litres	480	155	155



Please contact Burco for more details

Burco believes in continuous design and development, therefore your product may slightly differ from the details above.